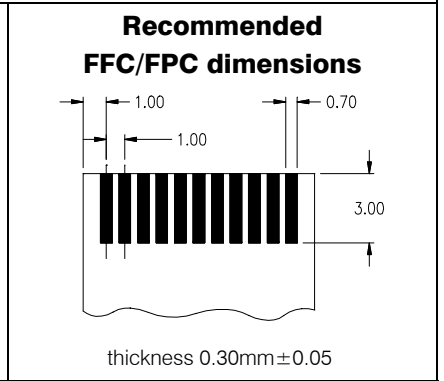
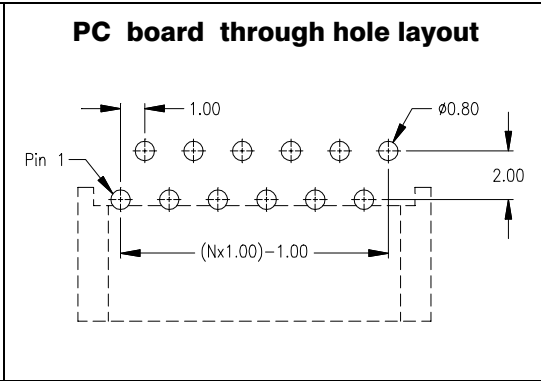
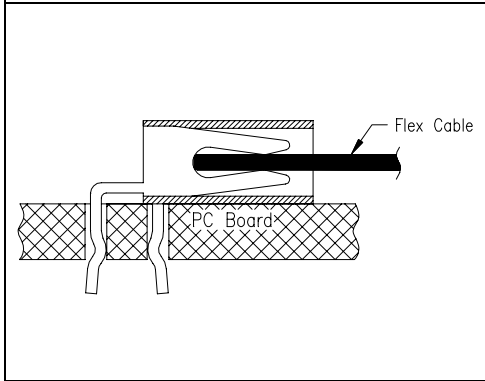
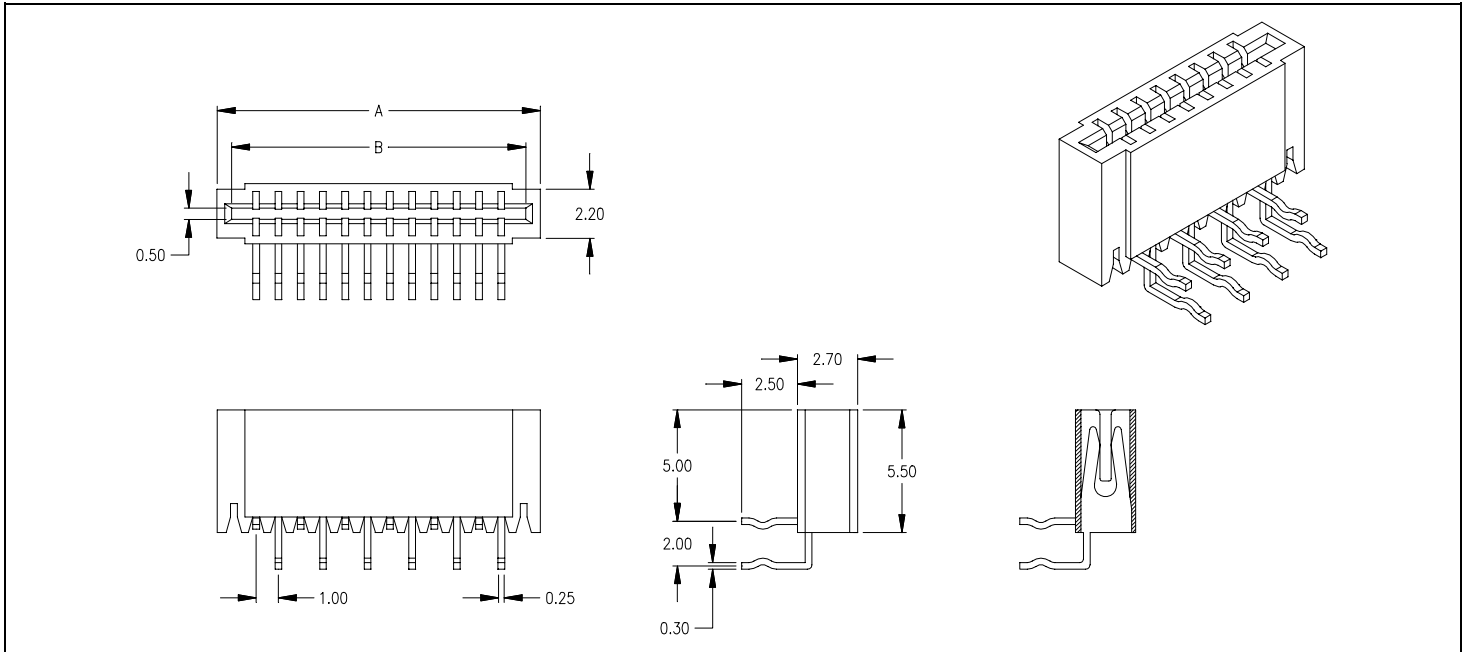


LIF FFC/FPC Connector right angle
- through hole - 1.00mm pitch



SPECIFICATIONS

Current rating	0.5 A max.	Operating temperature	- 40° to +105°C
Insulator resistance	100MΩ min.	Contact material	(RoHS compliant) Phosphor Bronze
Contact resistance	20 mΩ max.	Contact plating	Tin (leadfree)
Dielectric withstanding voltage	500 V AC/1 Min	Insulator material	(RoHS compliant) P.B.T. UL 94 V-0

Dimensions (mm)

Contacts	A	B	Contacts	A	B	Contacts	A	B	Contacts	A	B
005	7.50	6.20	012	14.50	13.20	019	21.50	20.20	026	28.50	27.20
006	8.50	7.20	013	15.50	14.20	020	22.50	21.20	027	29.50	28.20
007	9.50	8.20	014	16.50	15.20	021	23.50	22.20	028	30.50	29.20
008	10.50	9.20	015	17.50	16.20	022	24.50	23.20	029	31.50	30.20
009	11.50	10.20	016	18.50	17.20	023	25.50	24.20	030	32.50	31.20
010	12.50	11.20	017	19.50	18.20	024	26.50	25.20	031	33.50	32.20
011	13.50	12.20	018	20.50	19.20	025	27.50	26.20	032	34.50	33.20

How to order

FCL - xxx - R100 - 99

