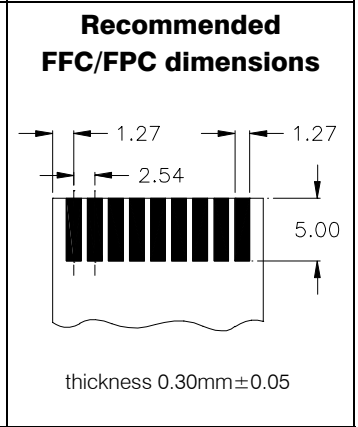
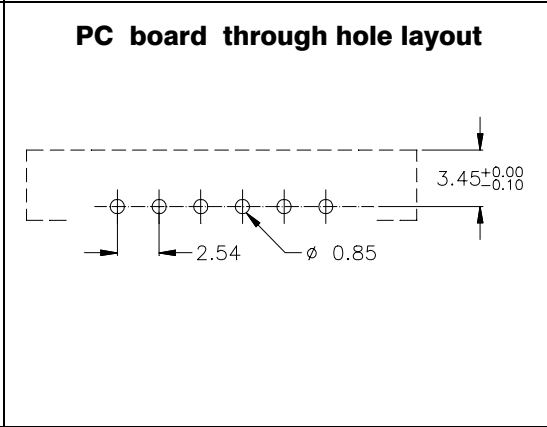
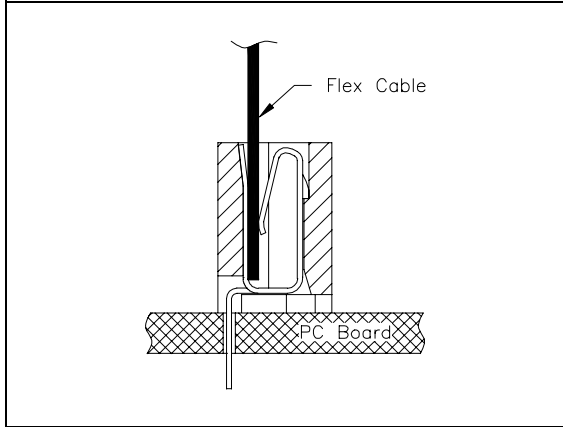
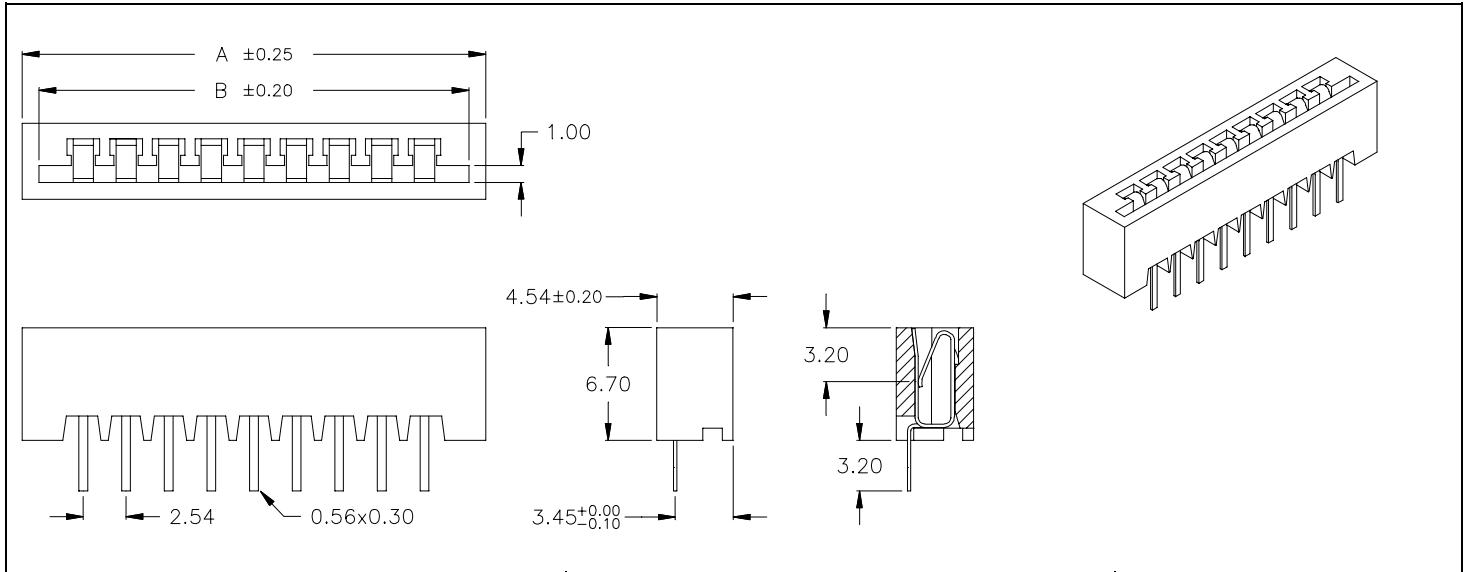


LIF FFC/FPC Connector straight  
- through hole - 2.54mm pitch



**SPECIFICATIONS**

Current rating	1 A max.	Operating temperature	- 40° to +105°C
Insulator resistance	1000M $\Omega$ min.	Contact material	Phosphor Bronze (RoHS compliant)
Contact resistance	20 m $\Omega$ max.	Contact plating	Tin (leadfree)
Dielectric withst. voltage	500 V AC/1 Min	Insulator material	P.B.T. UL 94 V-0 (RoHS compliant)

**Dimensions (mm)**

Contacts	A	B	Contacts	A	B	Contacts	A	B	Contacts	A	B
002	10.54	8.56	009	28.32	26.34	016	46.10	44.12	023	63.88	61.77
003	13.08	11.10	010	30.86	28.88	017	48.64	46.66	024	66.42	64.31
004	15.62	13.64	011	33.40	31.42	018	51.18	49.20	025	68.96	66.85
005	18.16	16.18	012	35.94	33.96	019	53.72	51.74	026	71.50	69.39
006	20.70	18.72	013	38.48	36.50	020	56.26	54.28	027	74.04	71.93
007	23.24	21.26	014	41.02	39.04	021	58.80	56.82			
008	25.78	23.80	015	43.56	41.58	022	61.34	59.23			

How to order

FPC - xxx - S254 - 99

