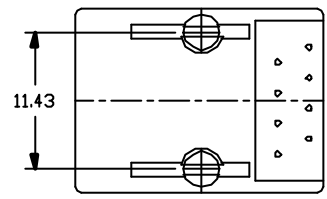
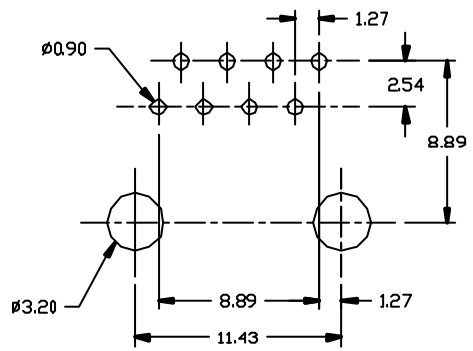
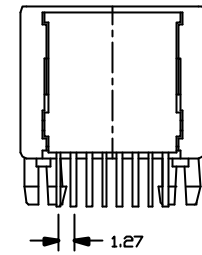
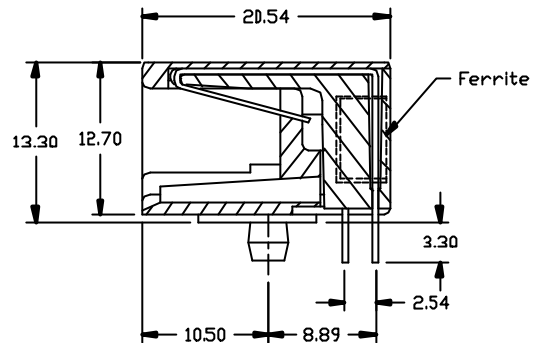
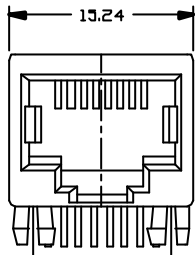


REVISION RECORD				
REV	ECO	DESCRIPTION	DRAFT	CHKD




RECOMMENDED HOLE PATTERN

No. of position: '0' = 10 position
 replace with No. of contacts: '6', '8' or '0' for 10
 add '/F' if Ferrite Filter is requested
 but only as -106- & -108- available

PART NUMBER	GOLD PLATING
MJS-10x-R159-11 /F	3u'
MJS-10x-R159-22 /F	6u'
MJS-10x-R159-33 /F	15u'
MJS-10x-R159-44 /F	30u'
MJS-10x-R159-55 /F	50u'

- NOTE :
- MATERIAL:
 HOUSING-PBT POLYESTER UL94V-0 STANDARD COLOR-BLACK.
 INSERT-PBT POLYESTER UL94V-0 STANDARD COLOR-BLACK
 CONTACT-0.46mm ROUND PHOS-BRONZE PLATED WITH HARD GOLD.
 - CAVITY CONFIRMS TO FCC RULES AND REGISTRATION PAR68, SUBPARTS F.
 - UL FILE NO. E163191

DIMENSIONS TOLERANCES EXCEPT AS NOTED .12 ± .03 ± .008 ± ANGLES ± .5 THIRD ANGLE PROJECTION	DFTD DATE 04/02 CHKD DATE 07/02 MFD DATE APPVL DATE 03/98 500A-DS1 MATERIAL : QTY : FINISH : SCALE :
---	--


RJ 45 PCB JACK 8P (10P)
SIDE ENTRY-LONG PROFILE TYPE
 with & without Ferrite Filter

DRAWING NO. 590x-00002x	SIZE	REV
DO NOT SALE DRAWING	SHEET	DF