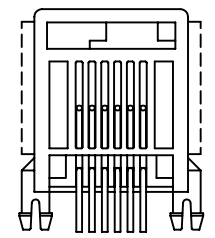
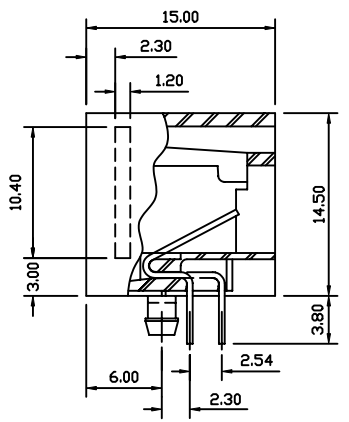
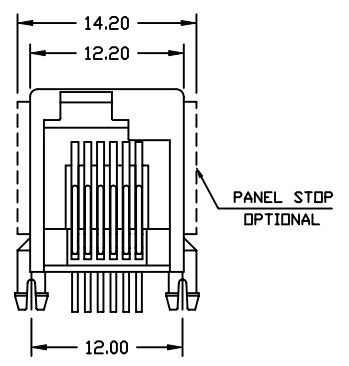
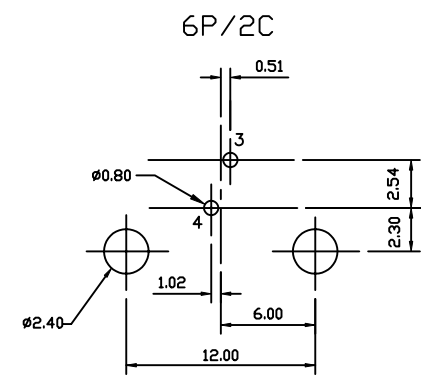
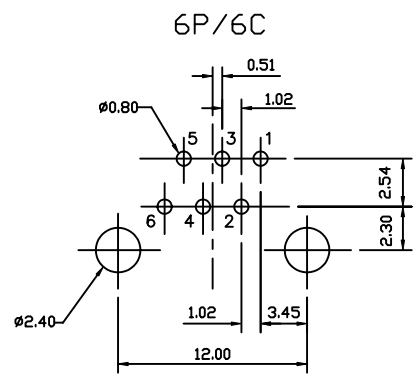


REVISION RECORD				
REV	ECD	DESCRIPTION	DRFT	CHKD

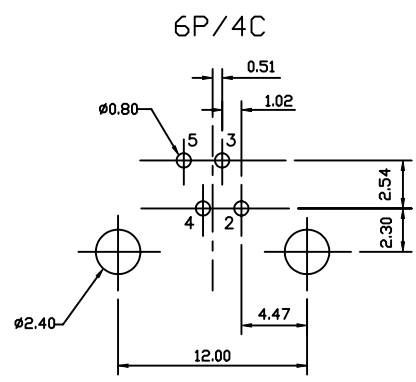
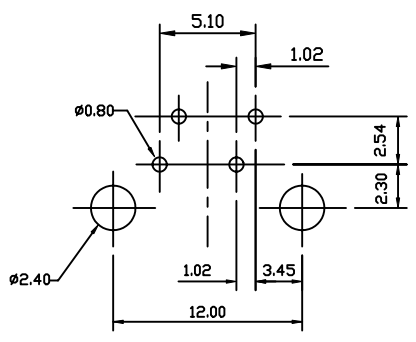
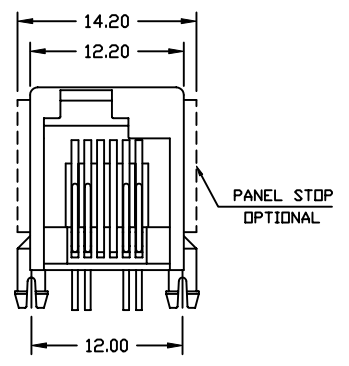
### 6P/xC Type



### RECOMMENDED HOLE PATTERN



### DEC 6P/4C Type



No. of position: '6' = 6 position

replace with No. of contacts: '6' or '4', or '4D' for DEC Type

replace with '3' if with panel stop

replace with 'B' if black color housing

PART NUMBER	GOLD PLATING
MJS-16x-R1EL-11 /G	3u"
MJS-16x-R1EL-22/G	6u"
MJS-16x-R1EL-33/G	15u"
MJS-16x-R1EL-44/G	30u"
MJS-16x-R1EL-55/G	50u"

- NOTE :
- MATERIAL:  
HOUSING-PBT POLYESTER UL94V-0  
STANDARD COLOR-GRAY  
INSERT-PBT POLYESTER UL94V-0  
STANDARD COLOR-GRAY  
CONTACT-0.46mm ROUND  
PHDS-BRONZE PLATED WITH  
HARD GOLD OVER NICKEL
  - CAVITY CONFIRMS TO FCC RULES AND  
REGISTRATION PAR68, SUBPARTS F.
  - UL FILE NO. E163191

DETACHED LISTS	← MKINCH → 25.4MM=1 INCH	DFTD	DATE 05/02
	TOLERANCES EXCEPT AS NOTED	CHKD	DATE
	MH 0.0	MFD	DATE
	.0 ± .025	APPVL	DATE 03/03
	.000 ± 0.13	9617AJ025DEC	
	ANGLES ± 0.5	MATERIAL :	
	THIRD ANGLE PROJECTION	QT'Y :	
		FINISH:	
		SCALE :	



"LEFT CENTER TYPE" PCB JACK  
RJ11 <6P6C> <6P4C> <6P4C DEC Type> <6P2C>  
LOW PROFILE WITH PANEL STOP

DRAWING NO. 9617	SIZE	REV
DO NOT SALE DRAWING	SHEET	OF