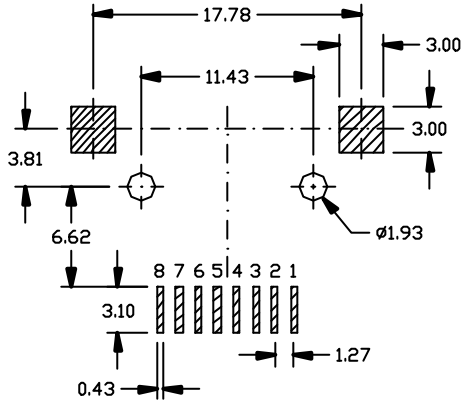
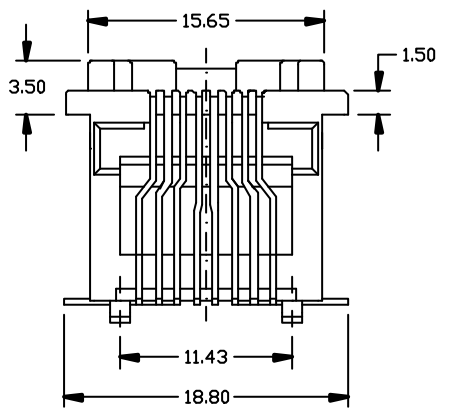
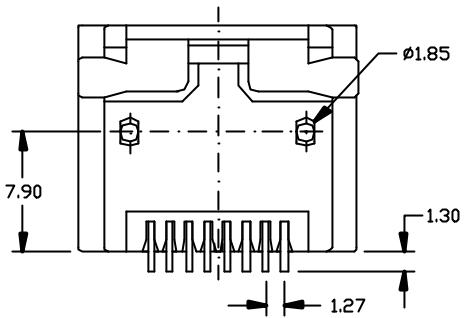
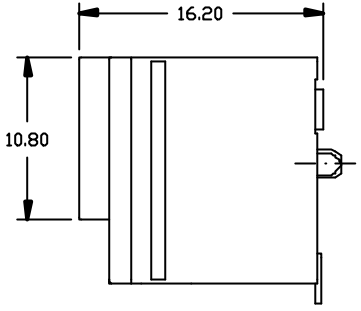
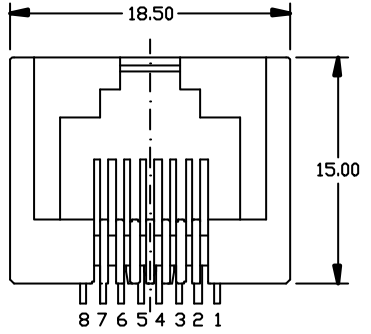


REVISION RECORD				
REV	ECO	DESCRIPTION	DRFT	CHKD



RECOMMENDED PCB LAYOUT

- NOTE :
- MATERIAL: HOUSING-NYLON 6T UL94V-0
STANDARD COLOR-BLACK
CONTACT-PHOSPHOR BRONZE
GOLD OVER NI IN CONTACT AREA
TIN OVER NI IN SOLDER AREA
 - ENVIRONMENTAL:
OPERATING TEMPERATURE: -20°C TO +85°C
PROCESSING TEMPERATURE:
+230°C FOR 60 SEC. MAX.
+260°C FOR 10 SEC. MAX.
 - ELECTRICAL:
CURRENT RATING: 1.5A MAX. (@25°C)
VOLTAGE RATING: 150V AC MAX.
CONTACT RESISTANCE: 15m OHM MAX.
DIELECTRIC WITHSTANDING VOLTAGE:
1000V rms 1 MINUTE (60Hz)
INSULATION RESISTANCE:
500 M OHM MIN.
 - CAVITY CONFIRMS TO FCC RULES AND
REGISTRATION PAR68, SUBPARTS F.
 - UL FILE NO. E163191

PART NUMBER	GOLD PLATING
MJT-188-T3AM0-03	15μ"
MJT-188-T3AM0-05	50μ"

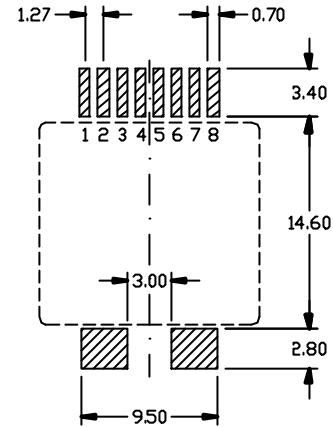
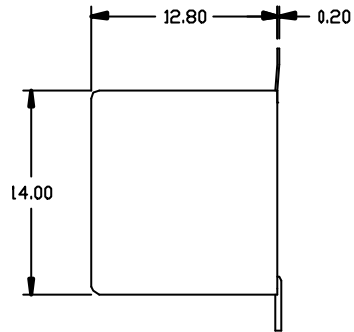
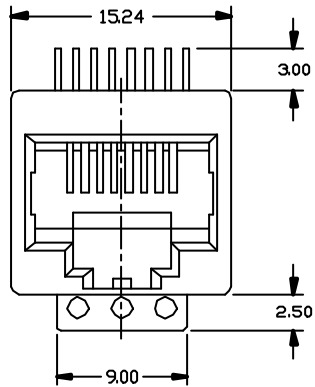
UNFINISHED 25.4MM±.125INCH TOLERANCES EXCEPT AS NOTED MM ± .10 .01 ± .008 ANGLE ± 0.5 SMT COPLANARITY: 0.10mm THIRD ANGLE PROJECTION	DRAWN: CVY	DATE: 08 13 01
	CHKD: HG	DATE: 04 22 02
	MFD:	DATE:
	APPVL:	DATE:
	MATERIAL:	QT'Y:
FINISH:	SCALE:	



SMT PCB JACK RJ45 <8P/8C>
TOP ENTRY WITH PANEL STOP

DRAWING NO. 010813-3	SIZE	REV
DO NOT SALE DRAWING	SHEET	DF

REVISION RECORD				
REV	ECO	DESCRIPTION	DRAFT	CHKD



RECCOMENDED PCB LAYOUT

- NOTE :
- MATERIAL:
 HOUSING-PBT POLYESTER UL94V-0
 STANDARD COLOR-BLACK.
 INSERT-PBT POLYESTER UL94V-0
 STANDARD COLOR-BLACK
 CONTACT-0.35mm PHOS-BRONZE
 SELECTIVE GOLD PLATED
 - CAVITY CONFIRMS TO FCC RULES AND
 REGISTRATION PAR68, SUBPARTS F.
 - UL FILE NO. E163191
 - OPERATING LIFE: 750 CYCLES min.

No. of position: "8" = 8 position
 No. of contacts: "8" = 8 contacts

PART NUMBER	GOLD PLATING
MJT-188-TGE52-01	3u'
MJT-188-TGE52-02	6u'
MJT-188-TGE52-03	15u'
MJT-188-TGE52-04	30u'
MJT-188-TGE52-05	50u'

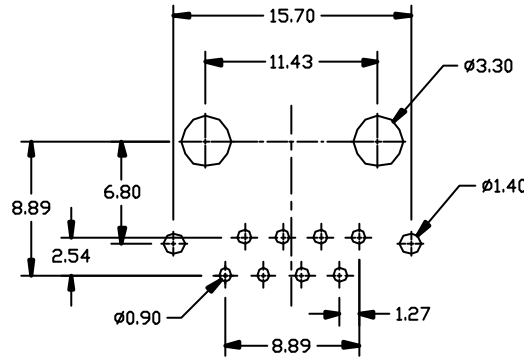
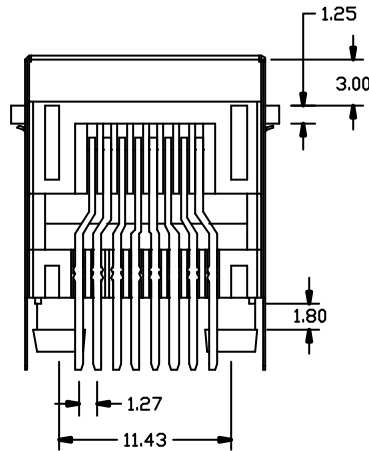
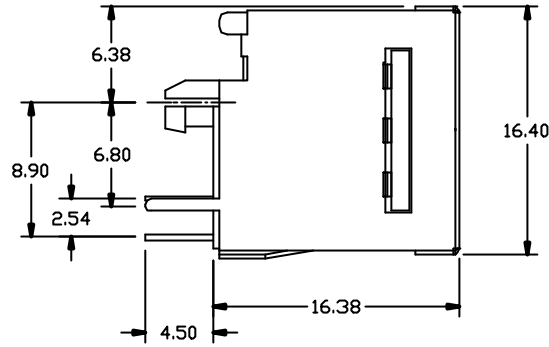
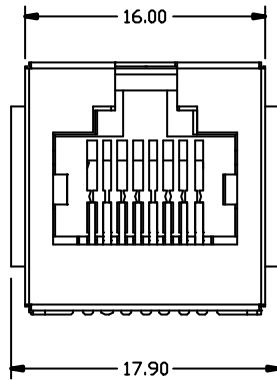
(DIMENSIONS IN INCH) TOLERANCES EXCEPT AS NOTED		DFTD DATE 12/02 CHKD DATE 13/02 MFD DATE
MM ± .01 ± .008 ±	DIMENSIONS .0 ± .30 ± .008 ±	APPVL DATE 09/01 500A-051 MATERIAL :
ANGLES ± 1.5 THIRD ANGLE PROJECTION		QTY : FINISH: SCALE :



SMT RJ45 PCB JACK <8P8C>
 TOP ENTRY NON SHIELDED

DRAWING NO. GE523A26	SIZE	REV
DID NOT SALE DRAWING	SHEET	DF

REVISION RECORD				
REV	ECD	DESCRIPTION	DRFT	CHKD



RECOMMENDED HOLE PATTERN

- NOTE :
- MATERIAL: HOUSING-PBT POLYESTER UL94V-0
STANDARD COLOR-BLACK
CONTACT-0.35mm THICKNESS PhBz
GOLD OVER NI IN CONTACT AREA
TIN OVER NI IN SOLDER AREA
SHIELD-0.50mm THICKNESS COPPER ALLOY
TIN PLATED
 - CAVITY CONFORMS TO FCC RULES AND
REGISTRATION PAR68, SUBPARTS F.
 - UL FILE NO. E163191

PART NUMBER	GOLD PLATING
MJT-188-S3AS0-02/CS	6μ"
MJT-188-S3AS0-03/CS	15μ"
MJT-188-S3AS0-04/CS	30μ"
MJT-188-S3AS0-05/CS	50μ"

DETACHED LIST	UNFINISHED	DATE 04/02
	25-40MM INCH	DATE
	TOLERANCES EXCEPT AS NOTED	DATE
		DATE 04/01
	APPVL	
	MATERIAL :	
	QTY :	
	FINISH:	
	SCALE :	



RJ45 PCB JACK <8P/8C>
TOP ENTRY WITH PANEL STOP
FULLY SHIELDED

DRAWING NO. GDS-880-88	SIZE	REV
DO NOT SALE DRAWING	SHEET	DF