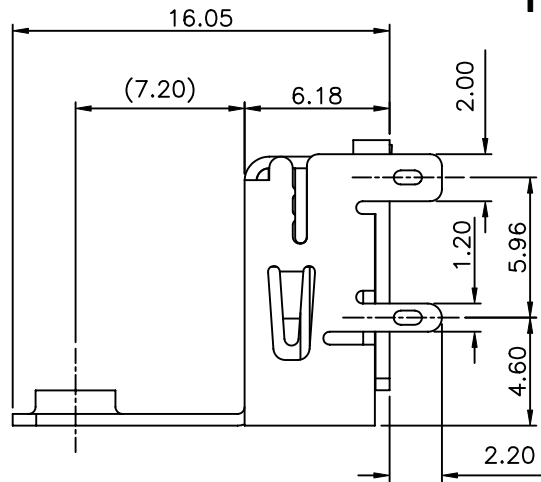
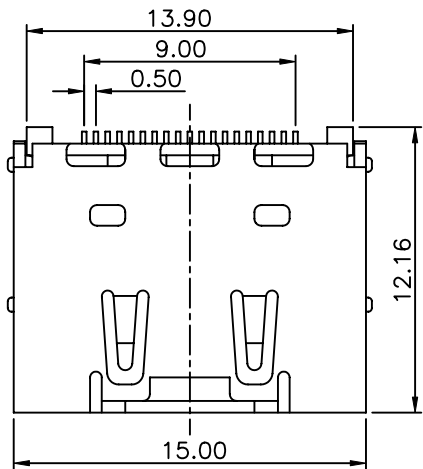


ORDER CODE

HMR - B19 - SSB1 - 98 / XX



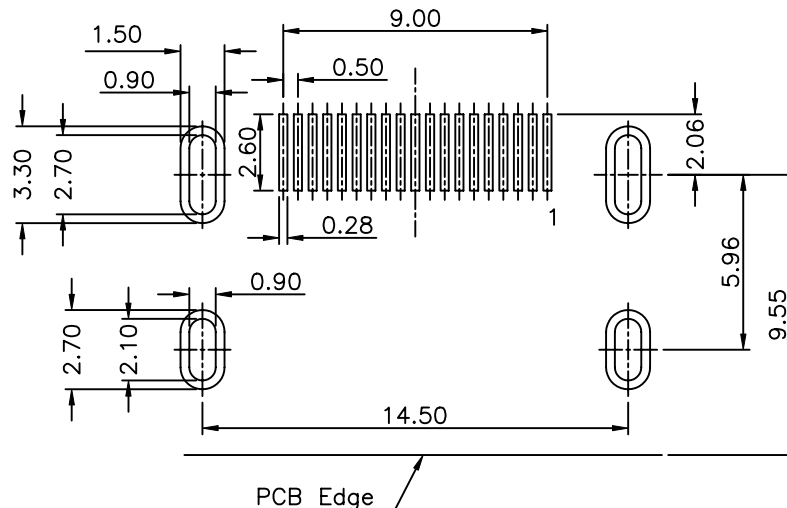
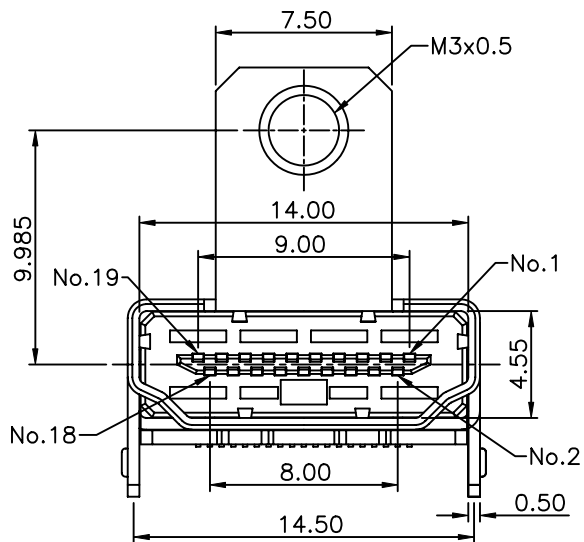
No. of contacts
Insulator Colour
B = black (Standard)

Standard Packing
R = Reel ; part without pick up tape

on request:
AT = Tube ; part with pick up tape
T = Tube, part without pick up tape
BT = Reel, part with pick up tape

Contact Plating
98 = tin (leadfree) /Gold 30µ" (standard)

Recommended PCB Layout
(PCB TOLERANCE ±0.05)



- SPECIFICATIONS**
- 1.0 MECHANICAL CHARACTERISTICS
 - 1.1 Insertion Force: 44.1N (max.)
 - 1.2 Extraction Force: 9.8 N (min.); 39.2 N (max.)
 - 1.3 Mating cycle: 10,000 cycles
 - 2.0 ELECTRICAL CHARACTERISTICS
 - 2.1 rating Current : 0.5 A
 - 2.2 rating voltage : 40V
 - 2.3 Contact resistance: 30m Ohms max.
 - 2.4 Insulation resistance:
 - a: unmated: 100M Ohms min. at 150V DC
 - b: mated: 10M Ohms min. at 150V DC
 - 2.5 Dielectric withstanding voltage: 500V AC/1Minute
 - 2.6 Operating Temperature: -25°C ~ +85°C
 - 2.7 Storage Temperature: -20° ~ +65°C
 - 2.8 Operation/Storage humidity: 95% or less
 - 3.0 MATERIAL
 - 3.1 Insulator: Nylon-6T or LCP (UL94V-0)
 - 3.2 Contact: Phosphor Bronze



GENERAL TOLERANCE	
XX. ±	XXX. ±
X. ±	.XXX ±
.X ±0.25	X.* ±
.XX ±0.20	.X.* ±

SCALE	3:1
UNIT	mm
SIZE	A4

DRAWN	Kent
CHECK	Paul
APPROVED	James

DATE	12/06/2004
DATE	
DATE	

DWG. NO.	F:\DWG\HDMI\male\F19-B.DWG
PART NO.	HMR-B19-SSB1-xx

HDMI SMT Connector
Receptacle
with mounting flange
and straight solder pegs

REV.	B
SHEET	1/1