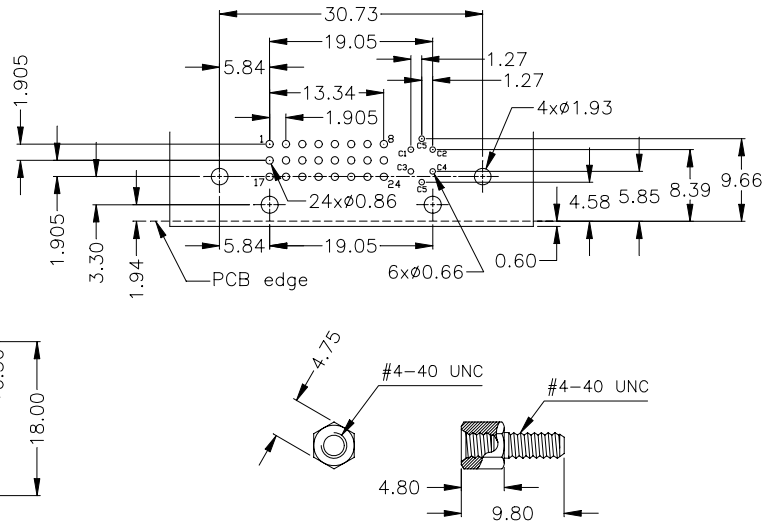
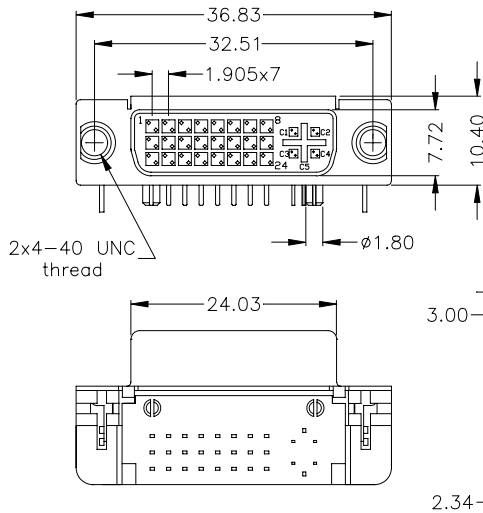


Analog & Digital Type

with plastic pegs



Option: Jack Screw

Specifications

Electrical:	
Current rating	1.5 A min.
Insulator resistance	1000 M Ω min.
Contact resistance	20 m Ω max.
Dielectric strength	1000 V for 1 Min.
Withstanding voltage	500V (rms) AC 1 Min.
Operating temperature	-20° C to +85° C
Mechanical:	
Insertion force	4.5 Kg max.
Withdrawal force	1.0 Kg min.
Durability	100 Cycles
Material:	
Contact	Copper Alloy
Insulator	Hi temp Thermoplastic UL 94V-0
Shell	Steel; Sn (leadfree) over Ni

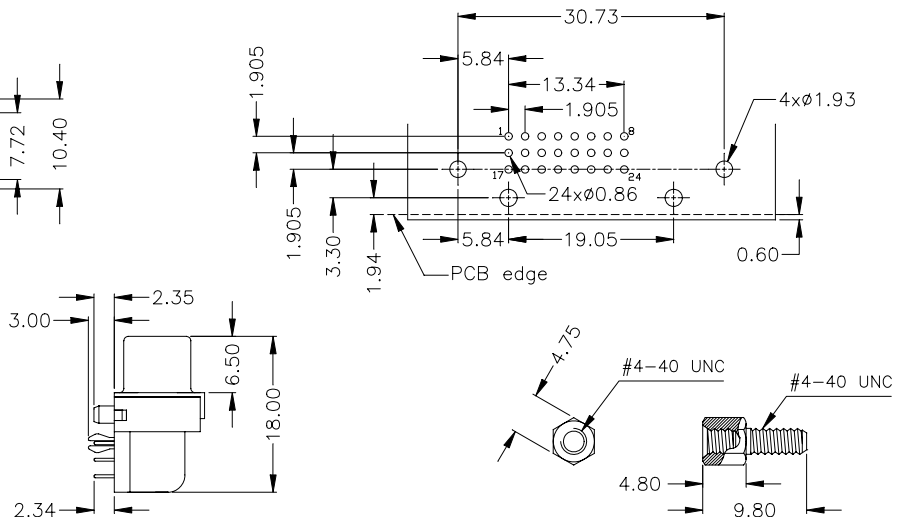
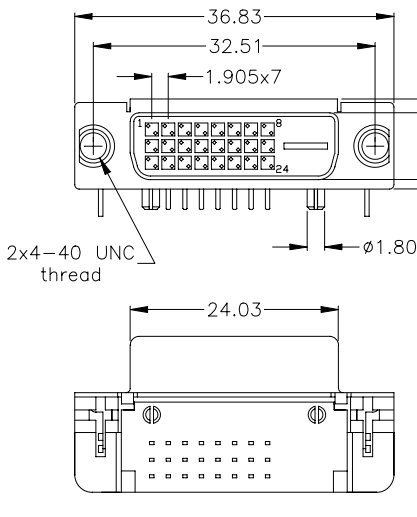
How to order

DVF - 029 - NAD9 - xx /W P X

Plating	Housing Color	Option
<p>95 = Gold flash / Tin (leadfree)</p> <p>97 = Gold 15μ" / Tin (leadfree)</p> <p>98 = Gold 30μ" / Tin (leadfree)</p>	<p>W = white (standard)</p> <p>B = black (option)</p>	<p style="text-align: center;">J</p> <p>2 Jack Screws 4-40 UNC attached</p>

Digital Type

with plastic pegs



Option: Jack Screw

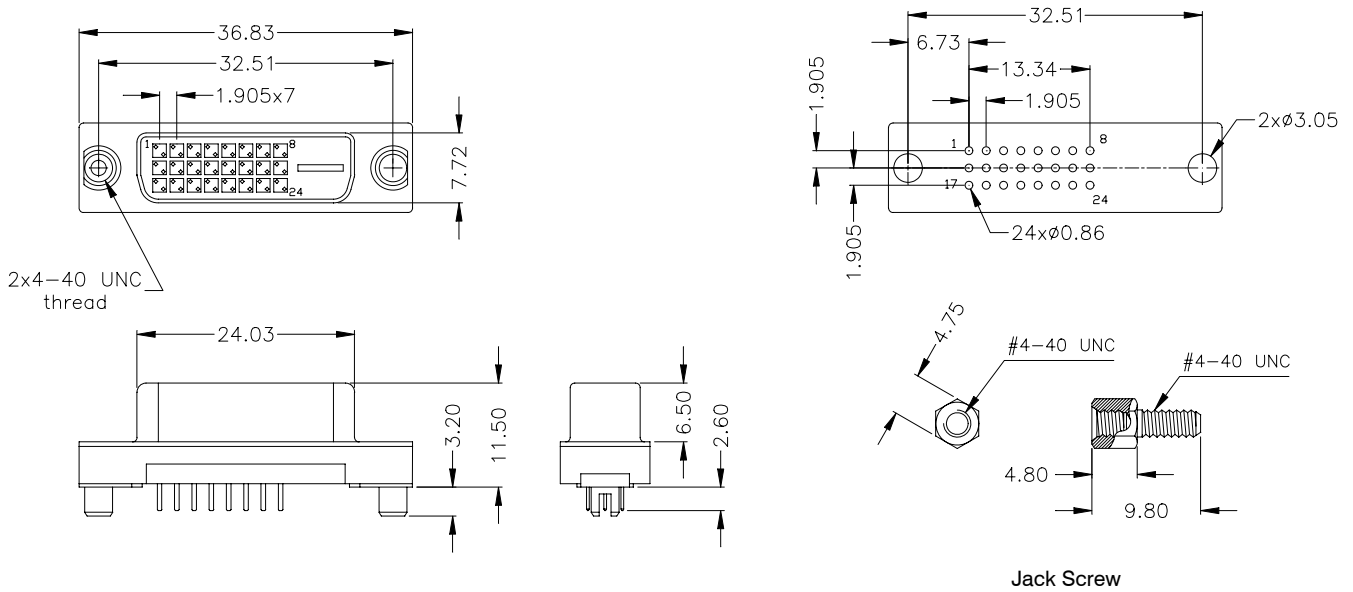
Specifications

Electrical:	
Current rating	1.5 A min.
Insulator resistance	1000 M Ω min.
Contact resistance	20 m Ω max.
Dielectric strength	1000 V for 1 Min.
Withstanding voltage	500V (rms) AC 1 Min.
Operating temperature	-20° C to +85° C
Mechanical:	
Insertion force	4.5 Kg max.
Withdrawal force	1.0 Kg min.
Durability	100 Cycles
Material:	
Contact	Copper Alloy
Insulator	Hi temp Thermoplastic UL 94V-0
Shell	Steel; Sn (leadfree) over Ni

How to order

DVF - 024 - NDD9 - xx /W P X

Plating	Housing Color	Option
<p>95 = Gold flash / Tin (leadfree)</p> <p>97 = Gold 15μ" / Tin (leadfree)</p> <p>98 = Gold 30μ" / Tin (leadfree)</p>	<p>W = white (standard)</p> <p>B = black (option)</p>	<p style="text-align: center;">J</p> <p>2 Jack Screws 4-40 UNC attached</p>



Jack Screw

Specifications

Electrical:	
Current rating	1.5 A min.
Insulator resistance	1000 M Ω min.
Contact resistance	20 m Ω max.
Dielectric strength	1000 V for 1 Min.
Withstanding voltage	500V (rms) AC 1 Min.
Operating temperature	-20° C to +85° C
Mechanical:	
Insertion force	4.5 Kg max.
Withdrawal force	1.0 Kg min.
Durability	100 Cycles
Material:	
Contact	Copper Alloy
Insulator	Hi temp Thermoplastic
Shell	UL 94V-0
	Steel; Sn (<i>leadfree</i>) over Ni

How to order

DVF - 024 - NDD1 - xx /W B J

Plating	
95	= Gold flash / Tin (<i>leadfree</i>)
97	= Gold 15μ" / Tin (<i>leadfree</i>)
98	= Gold 30μ" / Tin (<i>leadfree</i>)

Housing Color	
W	= white (standard)
B	= black (option)

J	
2 Jack Screws 4-40 UNC attached	