

DR - Series DIMM Sockets for DDR III Module vertical type 240-pin



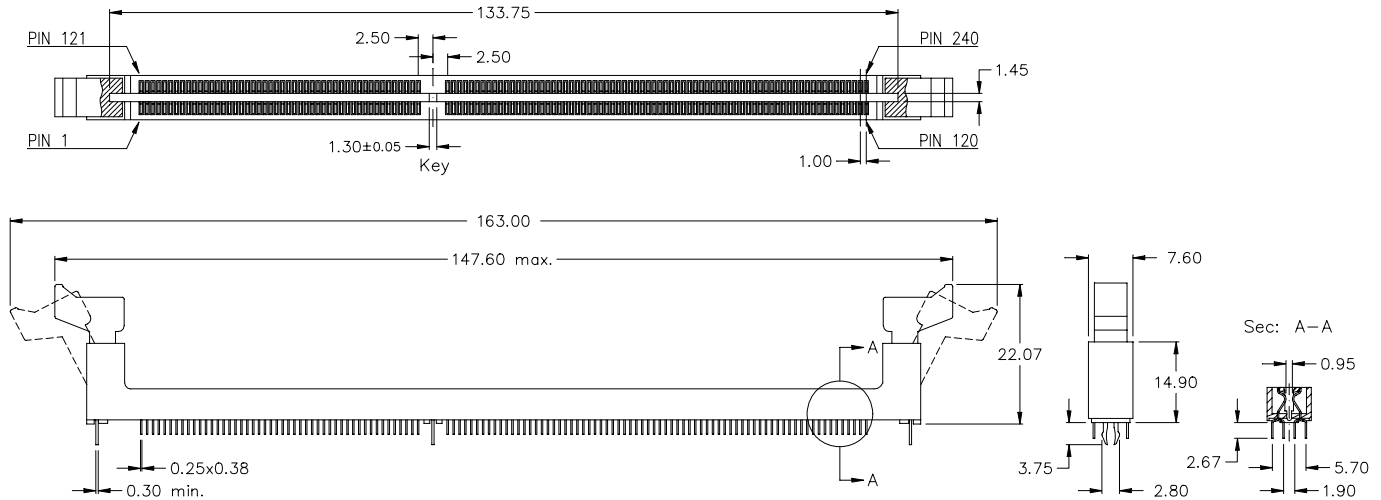
DIMM sockets for DDR III Module 1.5V Type
with Module locking extractors.

Insertion & extraction of the module can be made without any tools.

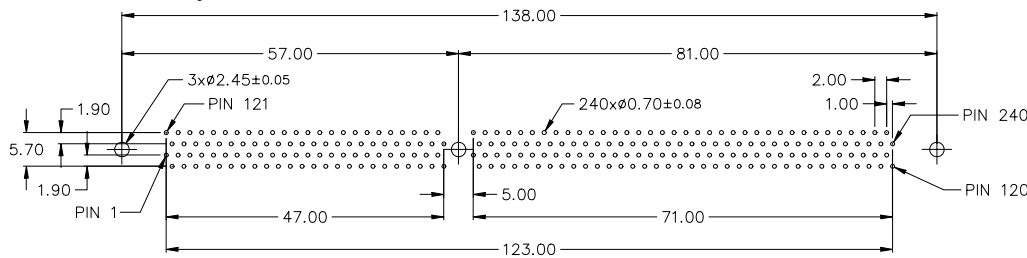
Positive polarization prevents wrong insertion of the module.

1.00mm pitch Contacts are designed with an anti-overstress feature
for long contact life.

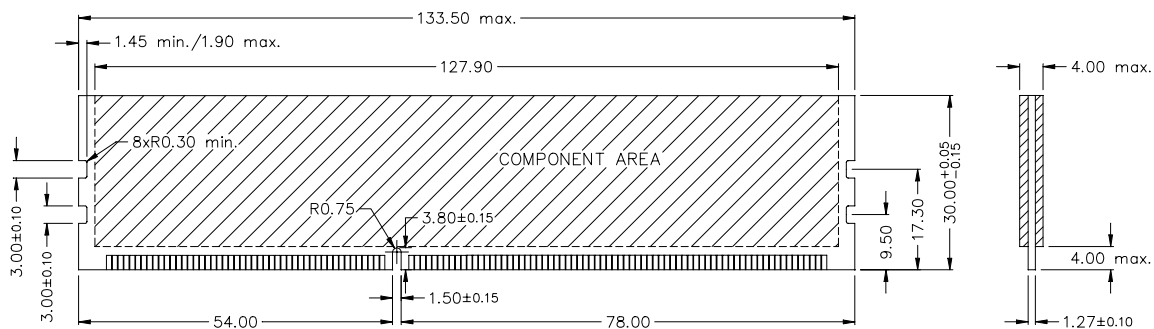
Selective Gold/Tin plated. Gold only in contact area.



PC Board hole layout



Module feature



Specification

Current rating	0.5 A 30V AC	Operating temperature	-55° C to +105° C min.
Contact resistance	30 mΩ max.	Insulator (RoHS compliant)	Nylon UL 94 V-0
Insulation resistance	1000 MΩ min.	Contact (RoHS compliant)	Copper Alloy
Contact resistance	30 mΩ max.	Plating	Au / Sn (leadfree) over Ni

Pin	Socket Type	Voltage Key	Color	Ordering Code
240 pin	1,5 Volt	Type "A"	black	DR1 - 240 - VAZ9 - 95/0L
240 pin	1,5 Volt	Type "A"	pink (190C)	DR1 - 240 - VAZ9 - 95/0LP
240 pin	1,5 Volt	Type "A"	green (368C)	DR1 - 240 - VAZ9 - 95/0LG