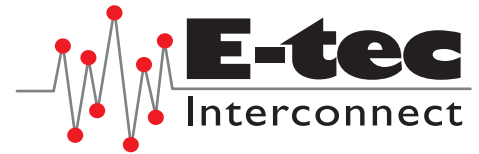
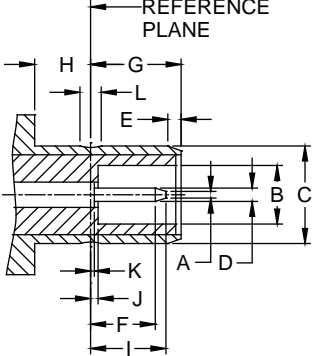


RF Connectors

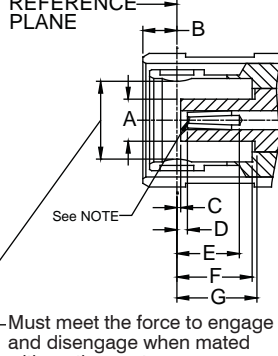
SMB Series



SMB connectors with 50Ω impedance are subminiature devices designed for repeatable electrical performance up to 4 GHz. These SMB connectors offer a simple open/close snap-on coupling feature and which have become very popular in telecommunications, test equipments and instrumentation.



PLUG



JACK

Dimension	Millimeters	
	Minimum	Maximum
A	--	0.25
B	2.08	2.16
C	3.66	3.71
D	0.48	0.53
E	0.00	--
F	1.32	--
G	3.33	3.58
H	2.03	--
I	--	2.97
J	--	0.18
K	--	0.18
L	0.69	0.94

Dimension	Millimeters	
	Minimum	Maximum
A	2.00	2.06
B	--	1.62
C	0.18	--
D	0.18	0.94
E	2.97	--
F	3.58	--
G	3.58	--

NOTE
In order to meet the VSWR and CR values as specified, the inner hole diameter needs to be mated with a 0.48/0.53mm dia. pin.

Must meet the force to engage and disengage when mated with mating part.

Electrical		
Impedance	50 Ω	
Frequency Range	0 - 4 GHz	
Working Voltage	RG-178: 250 V rms max.	
	RG-316, .085": 335 V rms max.	
Dielectric Withstanding Voltage	RG-178: 500 V rms min.	
	RG-316, .085": 1000 V rms min.	
VSWR	Straight	1.3 max.
	Right Angle	1.5 max.
Contact Resistance	Center Contact	6 mΩ max.
	Outer Contact	2.5 mΩ max.
Insulator Resistance	1000 MΩ min.	

Material		
Parts Name	Material	Finish
Body, Metal Parts	Brass per QQ-B-626	Gold 0.07μm (3 μ")
Center Contacts	Male: Brass per QQ-B-626	Gold 0.75μm (30 μ")
	Female: Beryllium copper per QQ-C-530	Gold 0.75μm (30 μ")
Insulators	Teflon	None
Crimp Ferrules	Annealed Brass	Gold 0.07μm (3 μ")

NOTE: Other materials and platings are available on request.

Mechanical & Environmental	
Engagement / Disengagement Force	62 N max.
Contact Retention	18 N min.
Durability(Mating)	500 cycles min.
Temperature Range	-65°C to +155°C
Vibration	MIL-STD-202 Method 204 Test Cond. B.
Salt Spray	MIL-STD-202 Method 101 Test Cond. B.
Thermal Shock	MIL-STD-202 Method 107 Test Cond. B.

How to order

RF X - SB X - XX X 5 xx - 58

Gender
P = Plug
J = Jack

Orientation
R = Right Angle
S = Straight

Mounting Type / Adaptor Type
B1 = THT Board Mount
C1 = Crimp Cable
P1 = Panel Board Mount
other types on request

Detail
N = Not defined
L = End Launch
B = Bulkhead, Rear Mount
others on request

Cable Group / Receptacle Type
Code allocated by E-tec

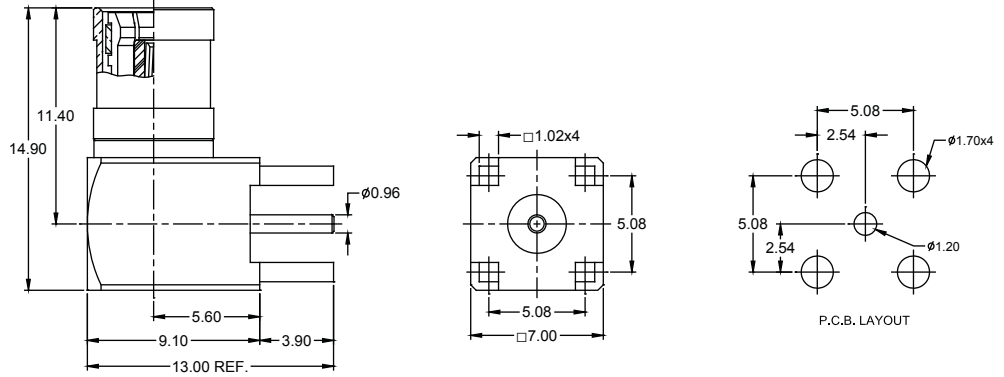
RF Connectors SMB Series



R/A THT JACK



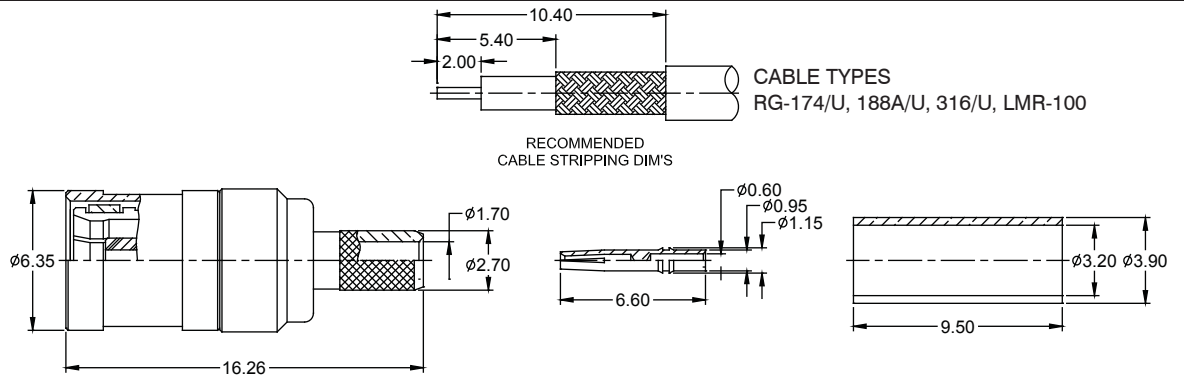
Order Code
RFJ-SBR-B1N592-58



CRIMP JACK



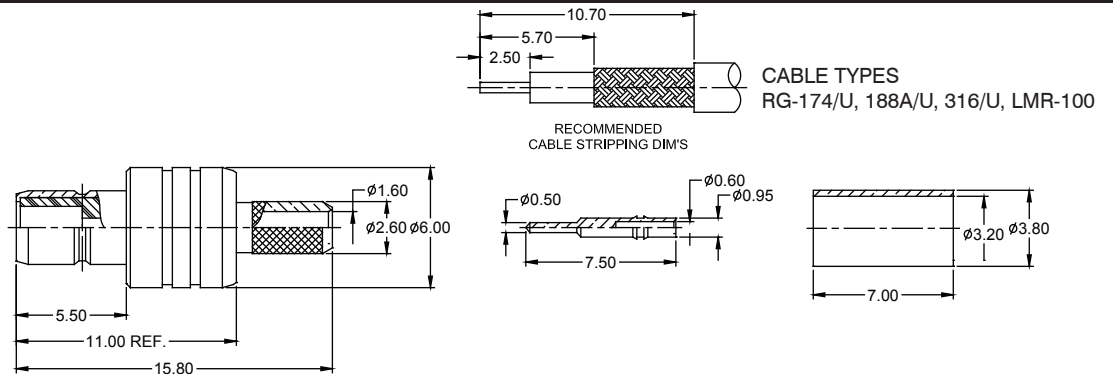
Order Code
RFJ-SBS-C1N502-58



CRIMP PLUG



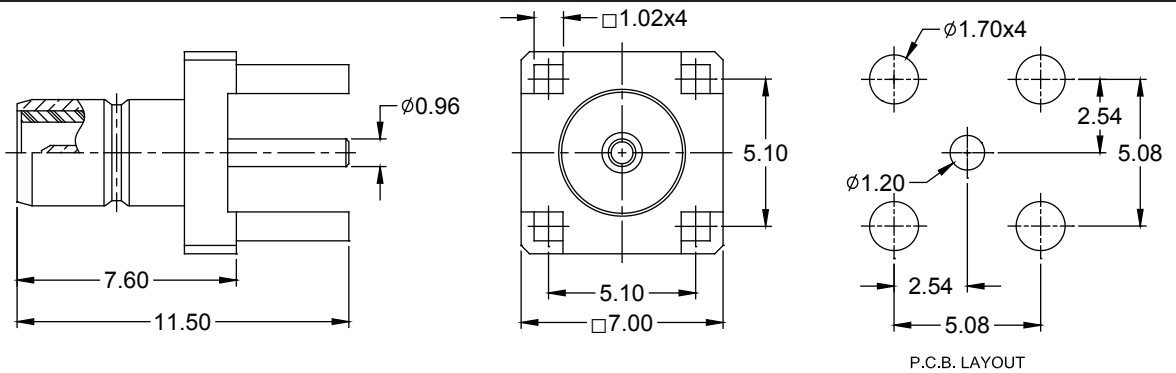
Order Code
RFP-SBS-C1N502-58



STRAIGHT THT PLUG



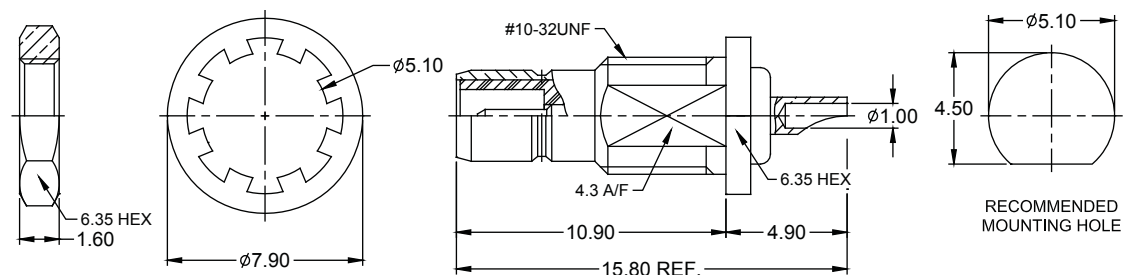
Order Code
RFP-SBS-B1N592-58



PANEL PLUG



Order Code
RFP-SBS-P1B591-58



Other SMB types available on request