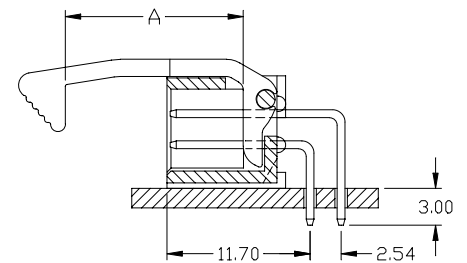
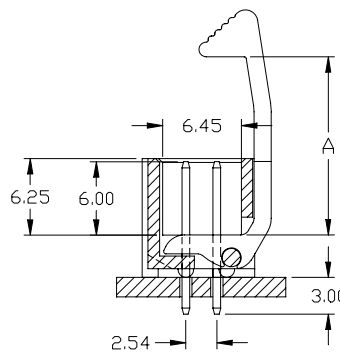
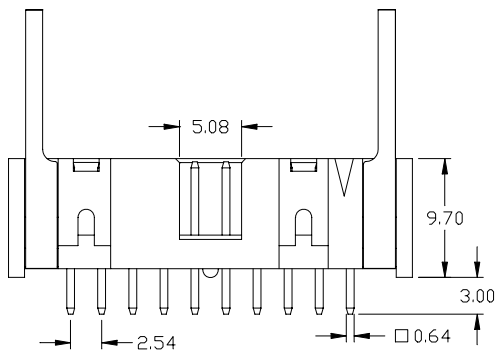
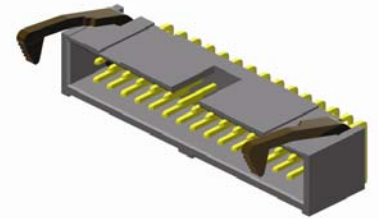
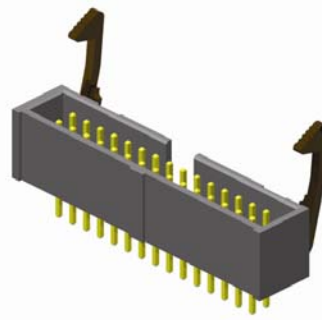
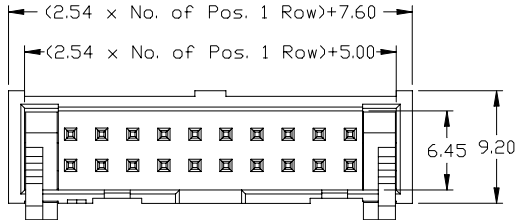


2.54mm pitch Box Header
- THT - with ejection latches



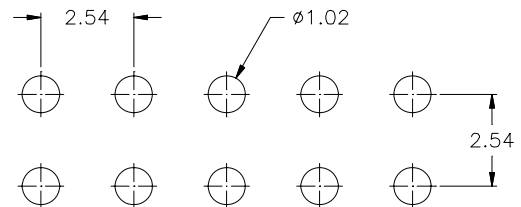
- S103

- R103

APPLICATION AND FEATURES

- Mating devices for female headers IDC Type
- Reliable flat cable to PCB connection
- Ejection latches for easy handling

P C B Hole Layout



SPECIFICATIONS

Current rating	3 A	Operating temperature	- 40° to +105°C
Insulator resistance	1000 MΩ min.	Contact material	Copper alloy (RoHS compliant)
Contact resistance	20 mΩ max.	Insulator material	PBT UL 94 V-0 (RoHS compliant)
Dielectric withstanding	AC 1000 V		Standard: black

How to order

SLS - xxx - X 103 - xx / X

Nbr of contacts
010; 014; 016
020; 026; 030
034; 040; 050
060; 064

Insulator
S = straight
R = right angle

Plating
Standard:
55 = gold
on request:
99 = tin (leadfree)
95 = tin/gold (tin leadfree)

Executions
S = short latch DIM "A" = 10.65mm
L = long latch DIM "A" = 14.55mm