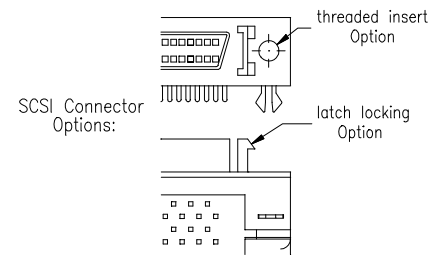
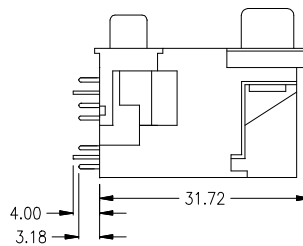
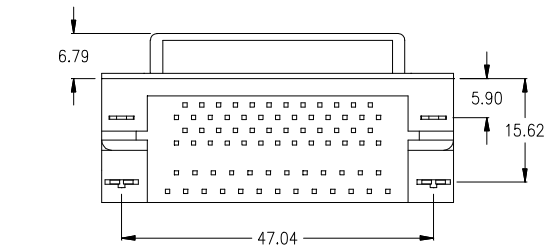
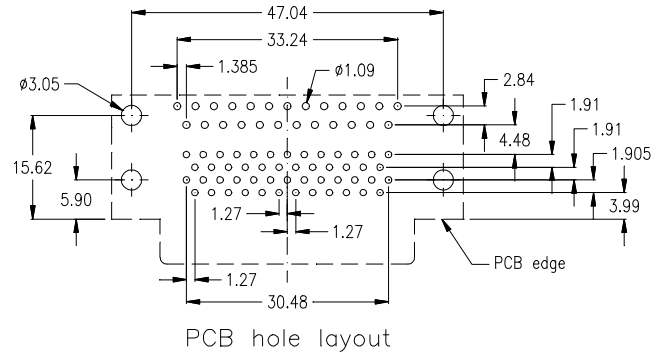
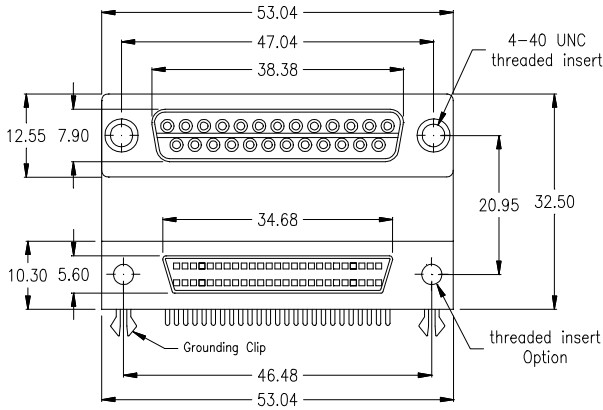


**25-pin female D-Sub / 50-pin female SCSI II**



with latch locking on SCSI Connector and 4-40 UNC threaded insert on both Connectors

with latch locking on SCSI Connector and 2-56 UNC threaded insert on SCSI Connectors

without latch locking on SCSI Connector and 4-40 UNC threaded insert on both Connectors

without latch locking on SCSI Connector and 2-56 UNC threaded insert on SCSI Connectors

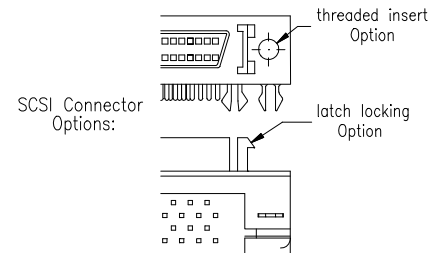
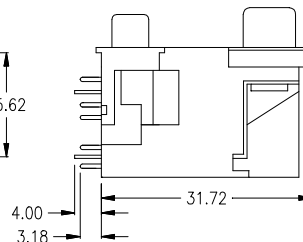
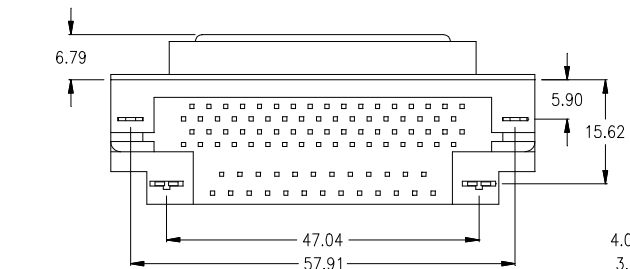
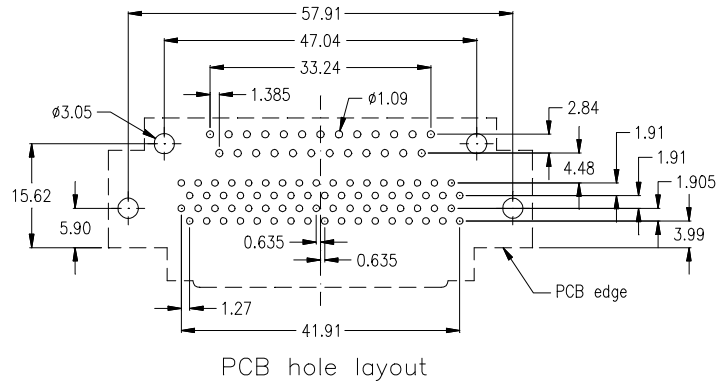
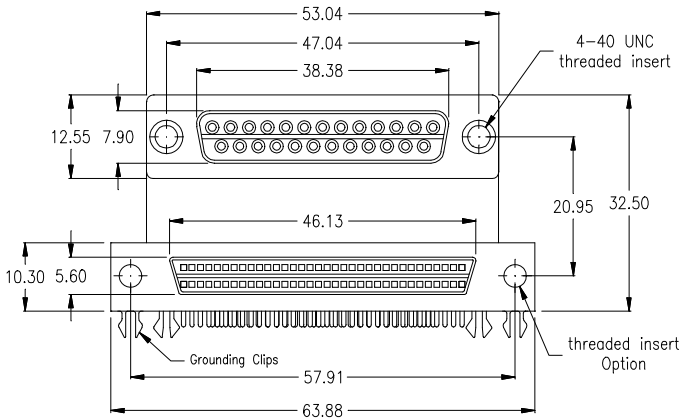
CSD-D2550-6-95-FN2-0

CSD-D2550-6-95-FN2-1

CSD-D2550-6-95-FN3-0

CSD-D2550-6-95-FN3-1

**25-pin female D-Sub / 68-pin female SCSI II**



with latch locking on SCSI Connector and 4-40 UNC threaded insert on both Connectors

with latch locking on SCSI Connector and 2-56 UNC threaded insert on SCSI Connectors

without latch locking on SCSI Connector and 4-40 UNC threaded insert on both Connectors

without latch locking on SCSI Connector and 2-56 UNC threaded insert on SCSI Connectors

CSD-D2568-6-95-FN2-0

CSD-D2568-6-95-FN2-1

CSD-D2568-6-95-FN3-0

CSD-D2568-6-95-FN3-1



<b>mechanical data</b>	
Mating force per contact	≤ 3,4 N
Unmating force per contact	≥ 0,2 N
Operating temperature	-55° C to +105° C

<b>materials and plating</b>	
Insulator	PBT glassfilled black UL 94V - 0
Shell	Zinc Alloy
- plating (tin leadfree)	tin or nickel plated
Male contact	Phosphor Bronze
- plating (tin leadfree)	-95 = solder side Sn; contact side Au over Ni
Female contact	Phosphor Bronze
- plating (tin leadfree)	-95 = solder side Sn; contact side Au over Ni

<b>electrical data</b>	
max. Current rating	1 A
Withstanding voltage	500 V AC rms. for 1 minute
Contact resistance	25 mΩ max. at 10mA
Insulation resistance	1000 MΩ min.

**All connectors are with double-shield metal covers  
and over-molded covers to provide full protection from EMI and ESD**

**SCSI – II type with „latch lock“, „screw lock“ type for SCSI – III connection**

**SCSI Mini Delta Ribbon connectors are available on request.**