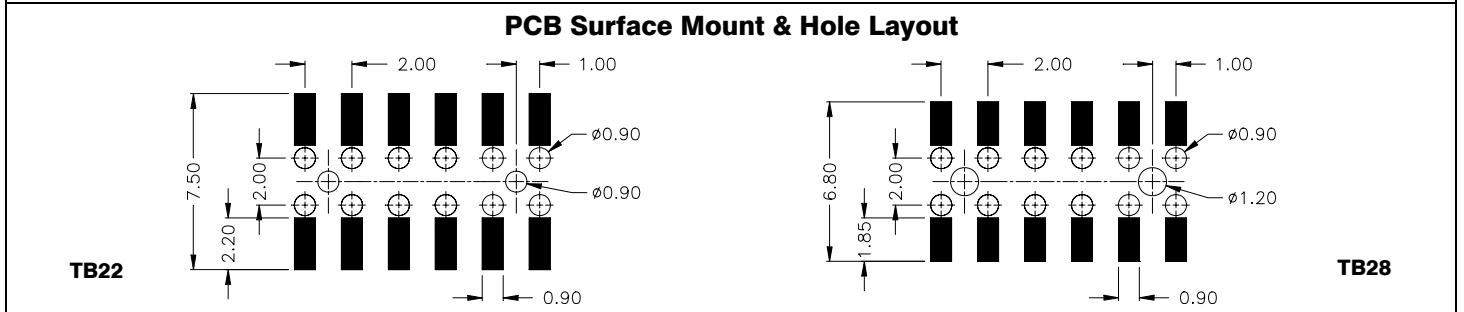
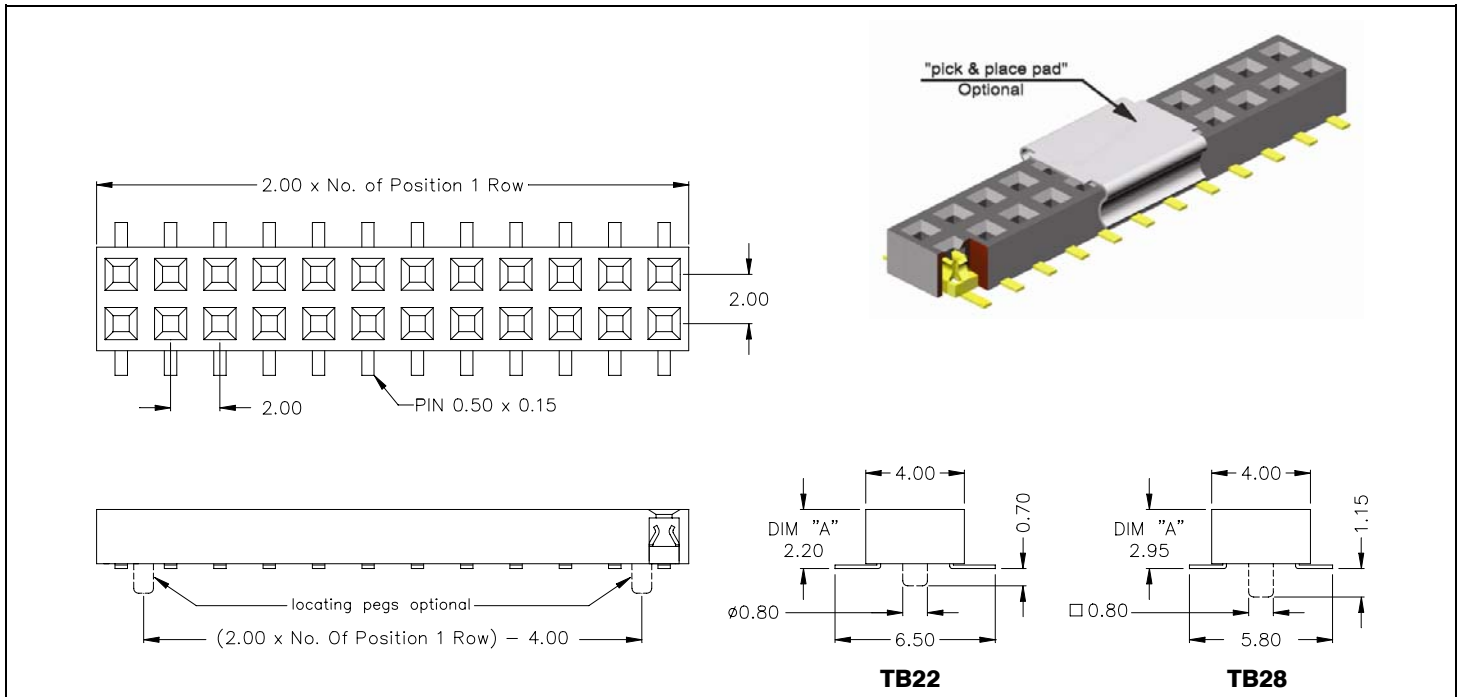


2.00mm pitch Female Header - SMT - Top & Bottom Entry 2.95mm & 2.20mm profile



APPLICATION AND FEATURES

- **Standard: tube packing, without “locating pegs” and “pick & place pad”**
- Low profile, 2.20mm and 2.95mm height above PCB available
- Mating with 2.00 mm x 2.00 mm pitch, 0.50 mm square, or round pin headers
- Designed for board to board small spacing interconnection

SPECIFICATIONS

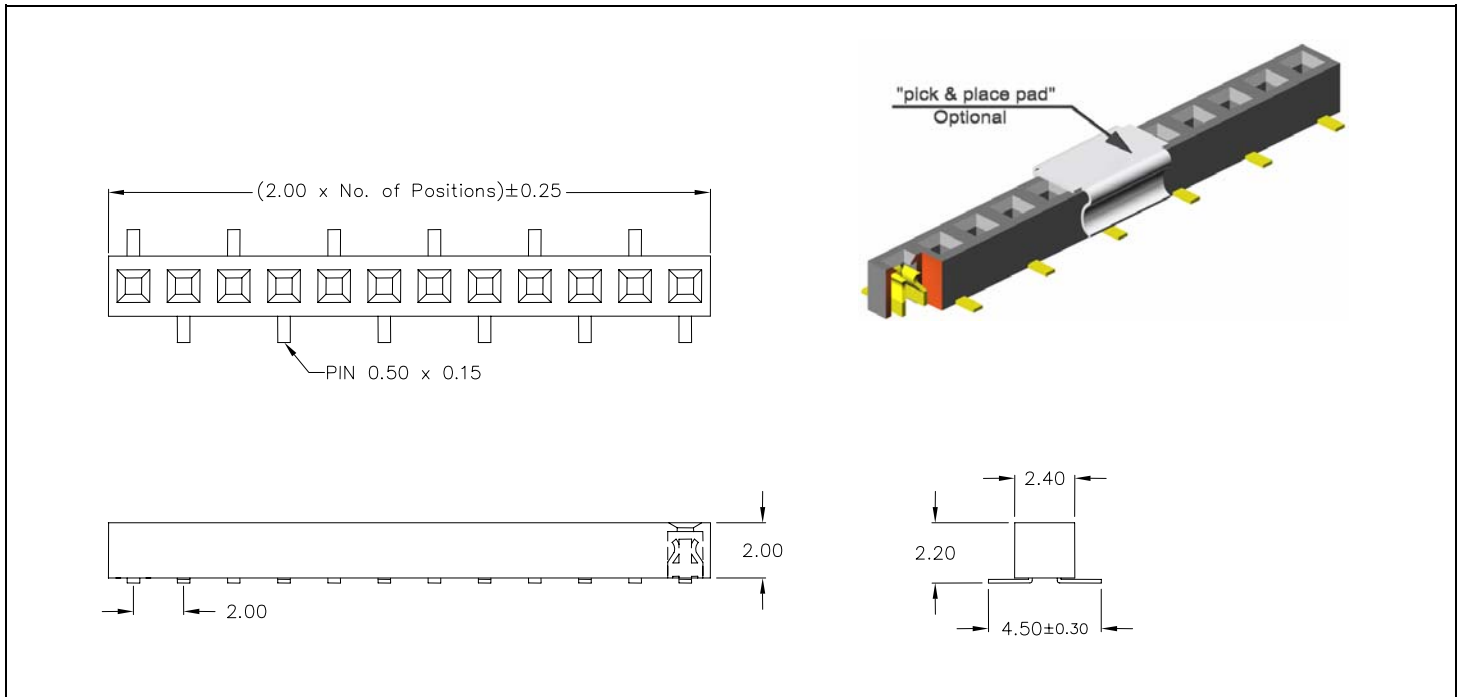
Current rating	1 A
Insulator resistance	1000 MΩ min.
Contact resistance	20 mΩ max.
Dielectric withstanding voltage	500 V AC
Operating temperature	- 40° to +105°C
Processing temperature	+250°C +0/-5°C for 10sec.
Contact material	(RoHS compliant) Phosphor Bronze
Insulator material	(RoHS compliant) Nylon UL 94 V-0

How to order

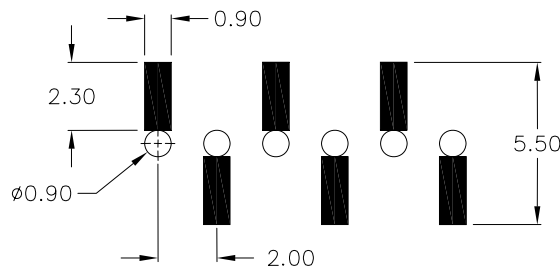
BS 2 - xxx - TB xx - 55 /2 X

Nbr of contacts	Type	Plating	Packing and “pick & place pad” Option
006 to 080	22 DIM „A“ 2.20mm 28 DIM „A“ 2.95mm	55 = gold	without “locating pegs” A = tube packing and pick & place pad B = reel packing and pick & place pad with “locating pegs” C = locating pegs and tube packing D = locating pegs; tube packing; pick & place pad E = locating pegs; reel packing; pick & place pad

When using this female connector as a bottom entry connector, we recommend that the pinheader pins protrude by around 2mm above the surface of the female connector after assembly. This will avoid any risk of separation of the pinheader from the female header during shock and vibration.



PCB Surface Mount & Hole Layout



APPLICATION AND FEATURES

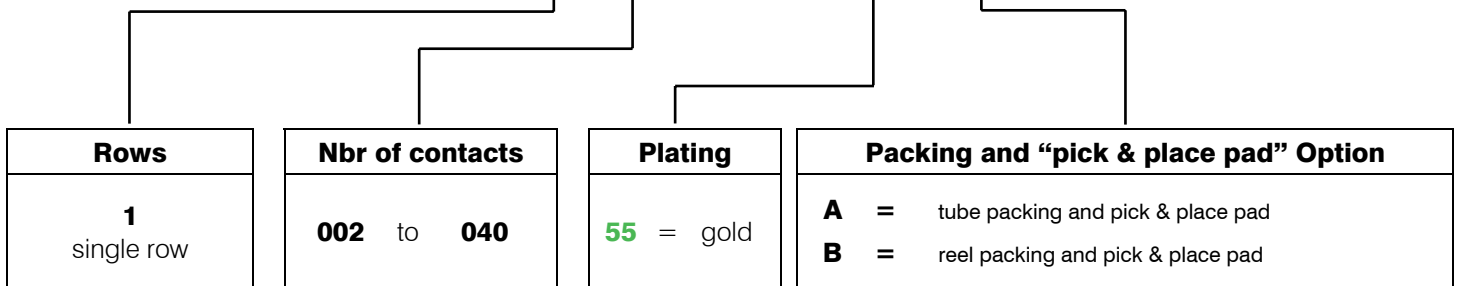
- **Standard: tube packing and without “pick & place pad”**
- Low profile, 2.20mm height above PCB available
- Mating with 2.00 mm pitch, 0.50 mm square, or round pin headers
- Designed for board to board small spacing interconnection

SPECIFICATIONS

Current rating	1 A
Insulator resistance	5000 MΩ min.
Contact resistance	20 mΩ max.
Dielectric withstanding voltage	500 V AC
Operating temperature	- 40° to +105°C
Processing temperature	+250°C +0/-5°C for 10sec.
Contact material <i>(RoHS compliant)</i>	Phosphor Bronze
Insulator material <i>(RoHS compliant)</i>	Nylon UL 94 V-0

How to order

BS 1 - xxx - TB 22 - 55 /2 X



When using this female connector as a bottom entry connector, we recommend that the pinheader pins protrude by around 2mm above the surface of the female connector after assembly. This will avoid any risk of separation of the pinheader from the female header during shock and vibration.