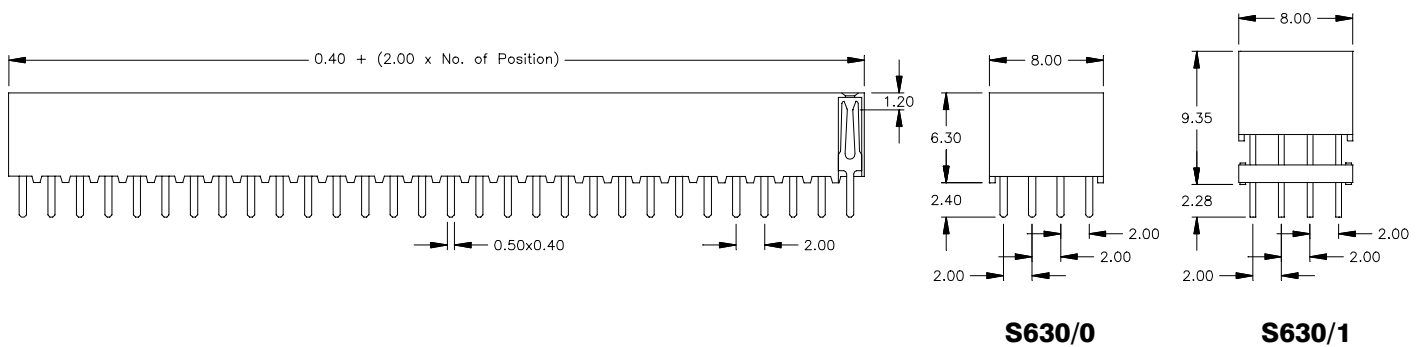
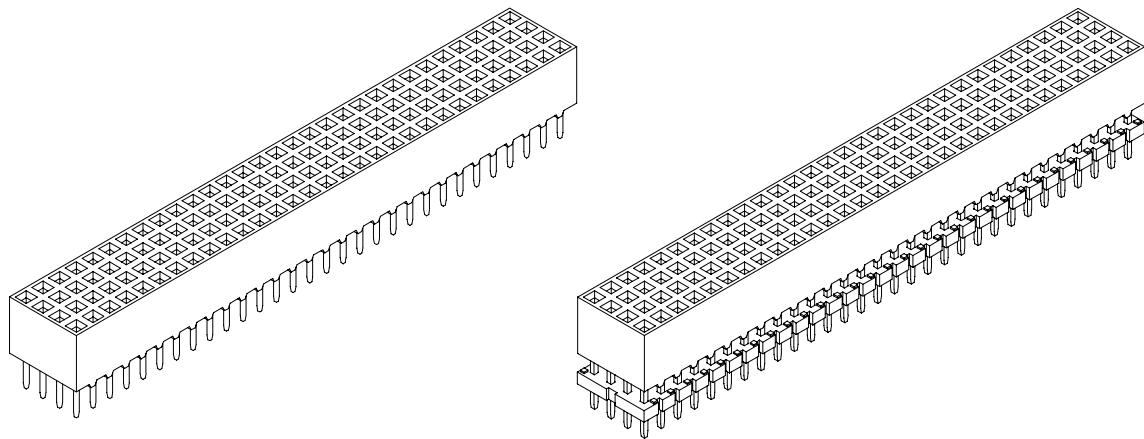


# 2.00mm Female Header

“PC 104 Type” Quad Row, 120 contacts max.



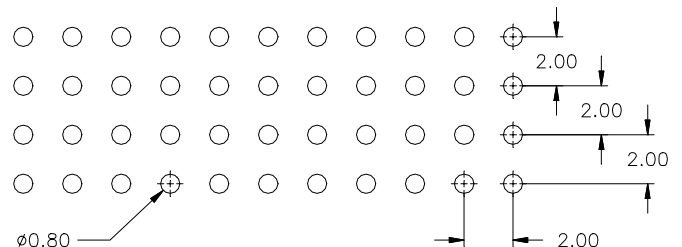
S630/0

S630/1

### SPECIFICATIONS

Current rating	1 A
Insulator resistance	5000 MΩ min.
Contact resistance	20 mΩ max.
Dielectric withstanding voltage	500 V AC
Operating temperature	- 40°C to +105°C
Contact material (RoHS compliant)	Phosphor Bronze
Insulator material (RoHS compliant)	Nylon UL 94 V-0

### PCB Hole Layout



### APPLICATION AND FEATURES

Low and high Profile PC 104 Type  
 Designed for “board to board” small spacing interconnection  
 With standoff's for post solder cleaning  
 Mate with male connector SL4 – xxx – S830/0 – xx/2 page 42

### How to order

BL4 - xxx - S xxx/x - 95 /2

